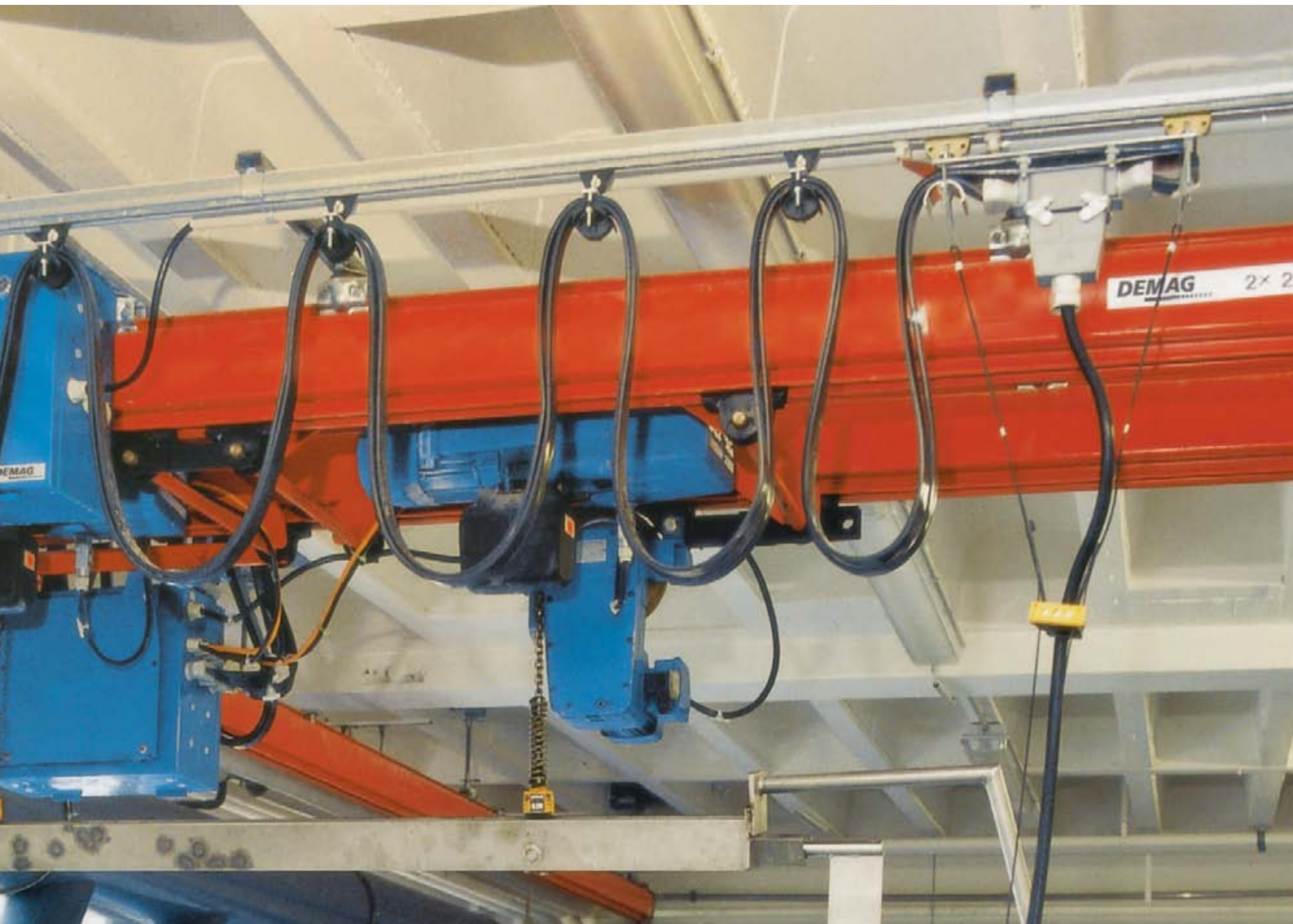
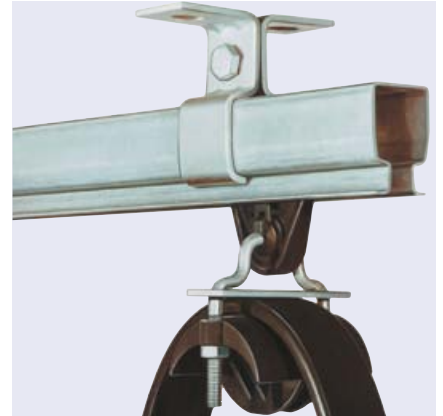
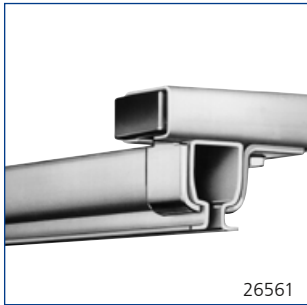


Demag KBK 25-System

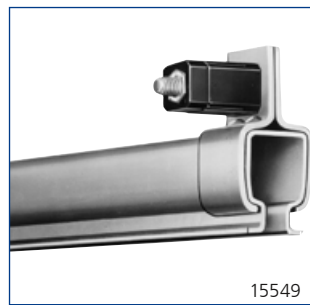
for festooned cable supply lines and light-duty cranes and monorails



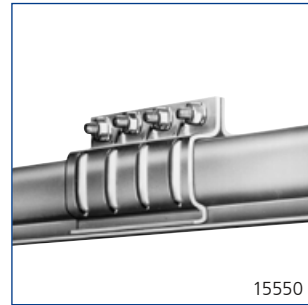
Inexpensive and robust – easy to install for SWL up to 25 kg



C-type track suspension arrangement



VR type suspension bracket (for square section tubing)



Track connecting clamp



Cable trolley with snap closure

A system for economic and reliable operation in handling installations and in mechanical engineering in general.

Features of the Demag KBK 25 Systems:

- The light-weight robust components require minimum maintenance.
- High rigidity of the hollow section rail, low dead weight
- High resistance to wear
- Electro-galvanised for good resistance to corrosion
- Plastic or steel travel wheels mounted on anti-friction bearings which are lubricated for life
- Trolleys protected from corrosion by acid vapours
- Mass production of components ensures uniform quality
- Simple bolted connections enable do-it-yourself assembly
- Suspension arrangements suitable for all types of superstructure
- Flexibility of track layout

The Demag KBK 25 system may also be used for building light-duty cranes or monorails for easy movement of electric or pneumatic portable tools suspended by means of balancing devices, e. g. above assembly lines where drills, impact wrenches or soldering tools must be handled safely and efficiently.

In photographic and film studios the KBK 25 system with its smooth travelling trolleys is ideal for overhead suspension and movement of spotlights and microphones.

The trolleys are designed for loads of up to 25 kg and run smoothly and quietly in the hollow-section rail where they are protected from dirt and dust.

Technical Data

| | |
|-------------------------|-----------------------------|
| Straight sections | 5 m |
| Curved section | 90°, R = 750, 1000, 1500 mm |
| Rail section dimensions | Height 40 mm, width 28 mm |
| Travel speeds | Up to 63 m/min |
| SWL | Max. 3, 15 or 25 kg/trolley |
| Temperature range | -20°C to +70°C |

Demag Cranes & Components GmbH

P.O. Box 67 · 58286 Wetter / Germany

Telephone +49 (0) 2335 92-0

Telefax +49 (0) 2335 92-24 06

E-mail handling@demagcranes.com

www.demagcranes.com