

· GH ·

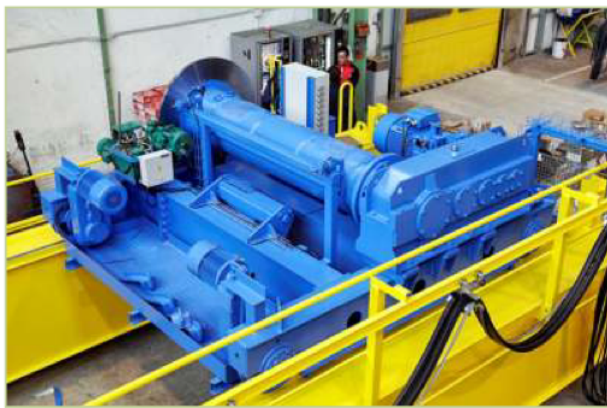
CRANES & COMPONENTS

OPEN WINCH

For process cranes and high capacities



**STANDARD
OPEN WINCH
LARGE RANGE
FROM 6.3T TO 400T**

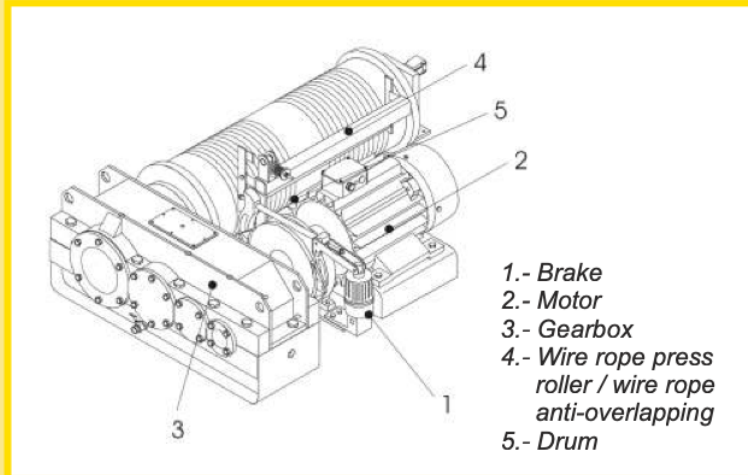


These type of crabs are produced on demand to address special needs such process cranes with special features of capacity, safety, speed or other requirements.

It is called Open Winch due to all the elements are manufactured with independent and different sub-assemblies for easy maintenance.

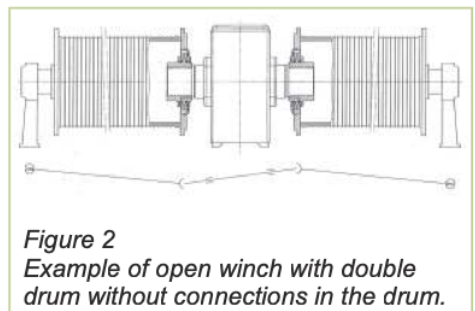
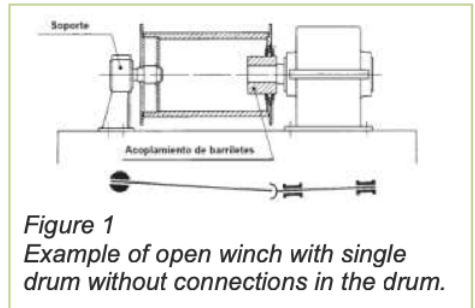


WHY AN OPEN WINCH?



OPEN WINCH ADVANTAGES:

- In general, open winches allow higher lifting capacities, higher speeds and higher FEM working groups.
- Possibility of working with motors of 1,500 rpm., 1,000 rpm. , and 750 rpm. , Bigger motor sizing.
- Commercial motors usage to adequate customer standards. One motor instead with less failure possibility instead of two hoist with two motors for the same lifting capacity.
- Direct shaft from motor to gearbox to drum with flexible and intermediate assemblies, absorbing the shocks at the time of lifting.
- True vertical lift, with stable hook at the lifting time.
- Easy access to the components for easy maintenance.
- External brake for easy access and maintenance
- Wire rope press roller/ Wire rope anti-overlapping and
The anti-overlapping device target is to avoid the wire rope come out from the drum hole.

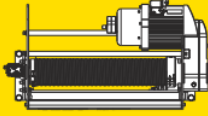


The inaccuracies in assembly, as well as the deformation of the structures and wear of parts in operation, cause huge additional forces, especially in the gearbox output shaft. These forces will cause bending forces that finally may cause fatigue fractures and damages of bearings and gears.

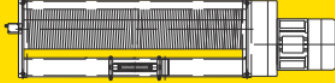
The barrel coupling installed between the gearbox and the drum makes the union statically determined, and therefore avoids the occurrence of high bending moments.

HOISTING

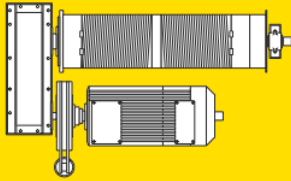
1E - GHA, GHB11, GHD13 hoists



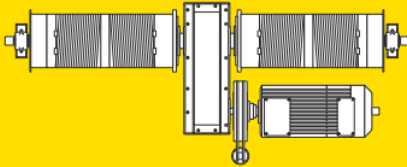
2E - GHE, GHF, GHG Hoists



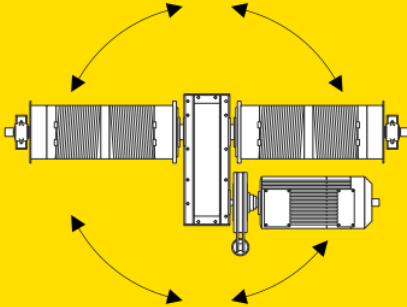
3E - Single open winch



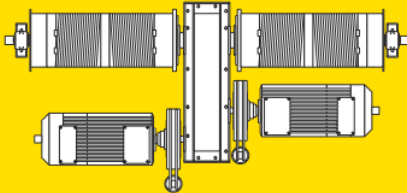
4E - Double open winch with double drum



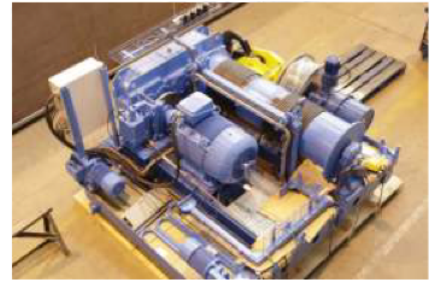
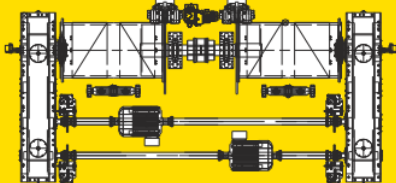
5E - Double rotating open winch with double drum

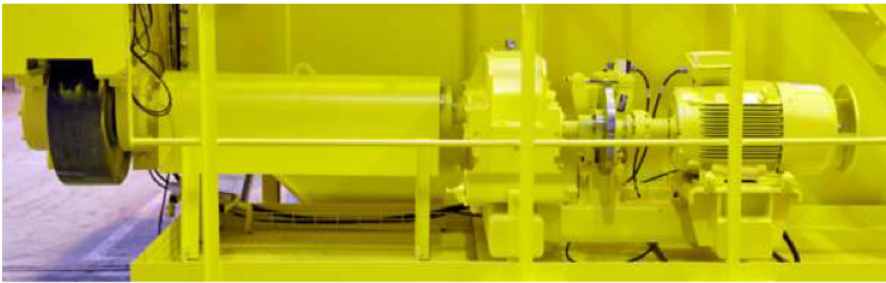


6E - Open winch with double planetary gearbox double drum and safety brake drum

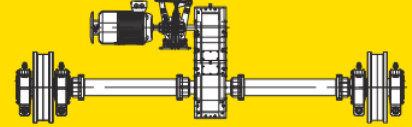


7E - Redundant security, double planetary reduction drum brake drum safety

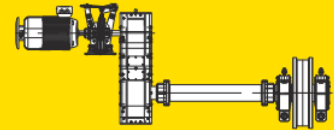




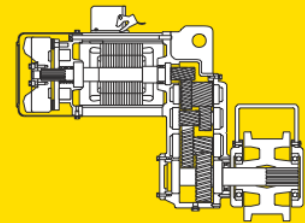
1T - Open winch



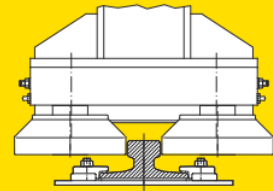
2T - Open winch and cranes



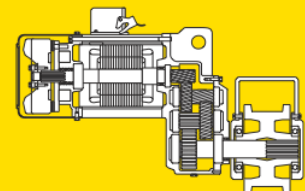
3T - Open winch and cranes



4T - Horizontal roller



5T - Turn



FEM CLASSIFICATION

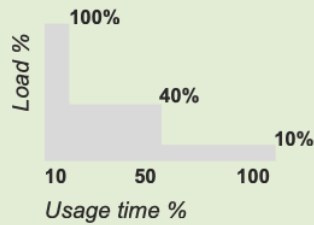
According to the FEM classification, two criteria select the working duty:

- Load spectrum (K)
- Daily Usage average time (T_m)

SERVICE CLASS

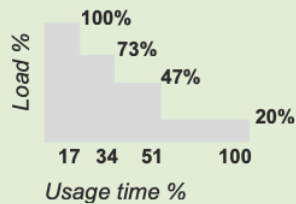
Approximate method

LIGHT-L1



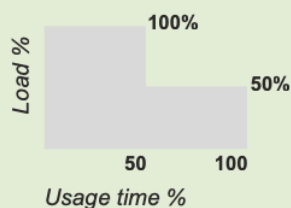
Occasionally full load usage
Normally low load usage

MEDIUM - L2



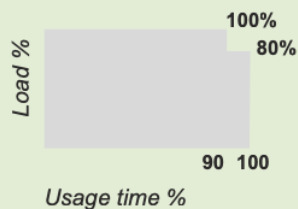
Occasionally full load usage
Normally medium load usage

HIGH - L3



Usually at full load
Usually at medium load

VERY HIGH - L4



Almost always at full load usage

Load spectrum	k	T _m			
L1 Light	$k < 0,5$	4-8	8-16	>16	
L2 Medium	$0,5 < k < 0,63$	2-4	4-8	8-16	>16
L3 High	$0,63 < k < 0,8$	1-2	2-4	4-8	8-16
L4 Very high	$0,8 < k < 1$	0,5-1	1-2	2-4	4-8
	FEM	2m	3m	4m	5m
	ISO	M5	M6	M7	M8
	CMAA	C	D	E	F
	GOST	3M	4M	5M	6M

High load capacity	10 t	C
Medium high elevation	6 m	Lh
Hoisting speed	5 m/min	V
Cycle No./Hours	12	Ch
Working hours/day	8 hours	Hd
State solicitation	Medium	

$$T_m = \frac{2 \times L_h \times C_h \times H_d}{60 \times V}$$

$$T_m = \frac{2 \times 6 \times 12 \times 8}{60 \times 5} = 2,56 \text{ [hours]}$$

For a medium load spectrum there is a time of 2.56 hours per day and the board shows a M5 group.

Load spectrum (k) can be determined exactly as follows

$$k = \sqrt[3]{\left(\frac{C_1}{C}\right)^3 \cdot \left(\frac{T_i}{T_m}\right) \dots \left(\frac{C_n}{C}\right)^3 \cdot \left(\frac{T_i}{T_m}\right)}$$

Where (Each cycle)

C_i Partial load

T_i Special cargo usage time

SELECTION TIME

■ Mechanism selection group according to the capacity board



Falls	GHF			GHG			GHI			GHJ				GHK			
Load (TN)	4/2	8/2	12/2	4/2	8/2	12/2	4/2	8/2	12/2	4/2	8/2	12/2	16/2	4/2	8/2	12/2	16/2
6,3	M8																
8	M8																
10	M8																
12,5	M7	M8		M8													
16	M6	M8		M8													
20	M5	M8		M7			M8										
25		M7	M8	M6	M8		M8										
32		M6	M8	M5	M8		M7			M8							
40		M5	M7	M4	M7	M8	M6	M8		M8							
50			M6		M6	M8	M5	M8		M7				M8			
63			M5		M5	M7		M7	M8	M6	M8			M7			
80					M4	M6		M6	M8	M5	M8			M6			
100						M5		M5	M7		M7	M8		M5	M8		
125									M6		M6	M8		M4	M7		
160									M5		M5	M7	M8		M6	M8	
200												M6	M7		M5	M7	M8
250												M5	M6		M4	M6	M7
320													M5			M5	M6
400																M4	M5

Coding proposal:

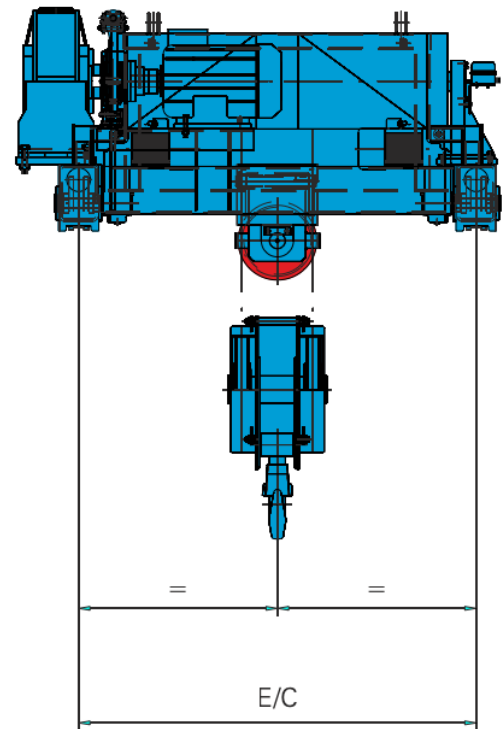
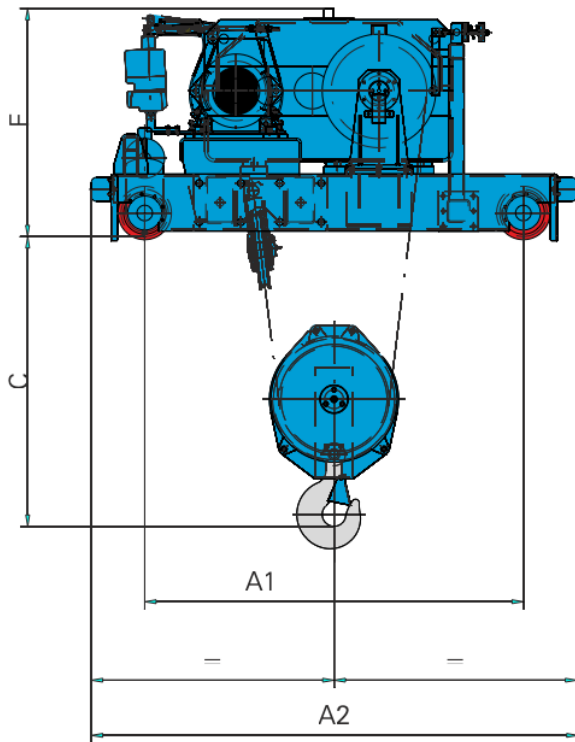
025M8I042B3R08
25 tn capacity
FEM M8 group

Gearbox type
42 4/2 wire rope falls
B motor flange (motor flange=B motor fix=P)

3R stage gearboxes
8 m/min speed

SELECTION TIME

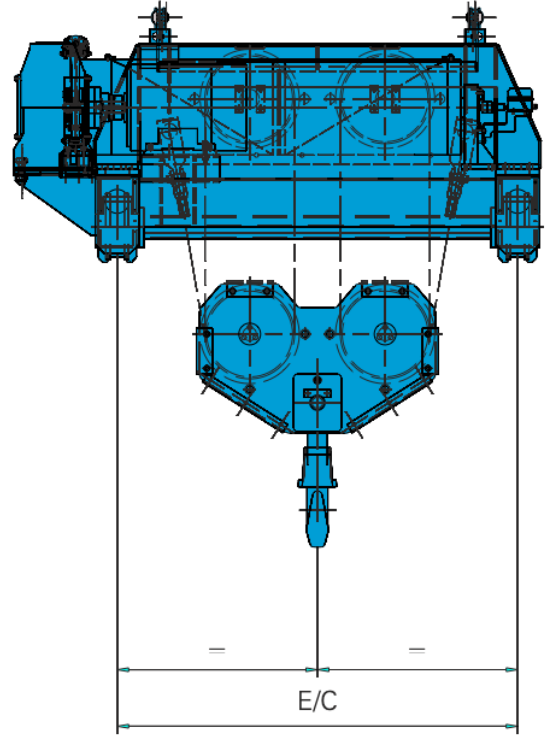
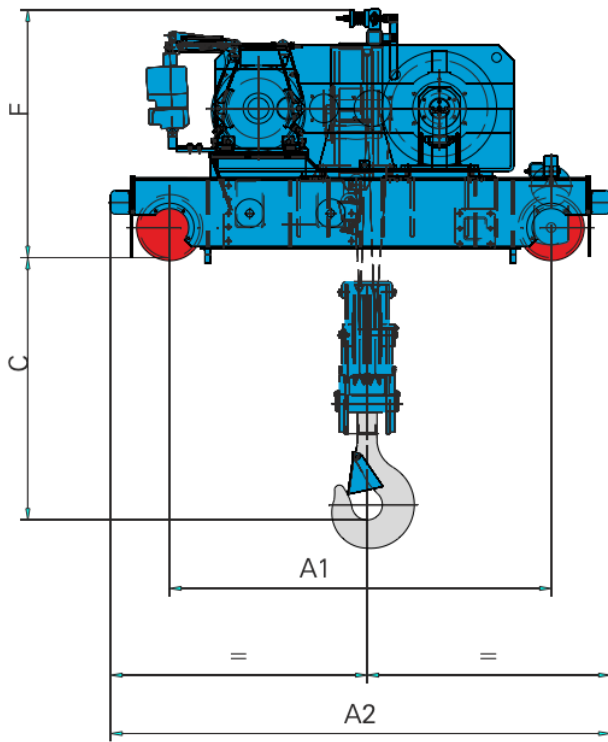
■ Selection board for open winch selection with 4/2 falls



Model	Capacity t	Classification		Height			Speed					Dimensions				E/c			Weight		
		FEM	ISO	H1	H2	H3	V1	V2	V3	V4	V5	F	C	A1	A2	H1	H2	H3	H1	H2	H3
GHF 4/2	6,3	5 m	M8	10	15	20	6	8	12	16	20	1075	1005	1900	2465	1500	1800	2000	2600	2700	3000
	8	5 m	M8																		
	10	5 m	M8																		
	12,5	4 m	M7																		
	16	3 m	M6																		
20	2 m	M5	940																		
GHG 4/2	12,5	5 m	M8	10	15	20	6	8	12	16	20	1220	1270	1900	2465	1800	2000	2240	4700	4800	5100
	16	5 m	M8																		
	20	4 m	M7																		
	25	3 m	M6																		
	32	2 m	M5										1220								
40	1 Am	M4	1355	1085	2525																
GHI 4/2	20	5 m	M8	10	15	20	6	8	12	16	20	1450	1630	2200	2825	2000	2240	2600	11200	11600	12500
	25	5 m	M8																		
	32	4 m	M7																		
	40	3 m	M6																		
	50	2 m	M5										1480								
GHJ 4/2	32	5 m	M8	10	15	20	6	8	12	16	20	1625	1745	2400	3205	2000	2240	2500	15900	16100	17200
	40	5 m	M8																		
	50	4 m	M7																		
	63	3 m	M6																		
	80	2 m	M5										1645								
GHK 4/2	50	5m	M8	10	15	20	6	8	12	16	20	2150	2055	3500	4532	2550	2800	3050	22000	24000	26000
	63	4m	M7																		
	80	3m	M6																		
	100	2m	M5																		
	125	1Am	M4										1955								

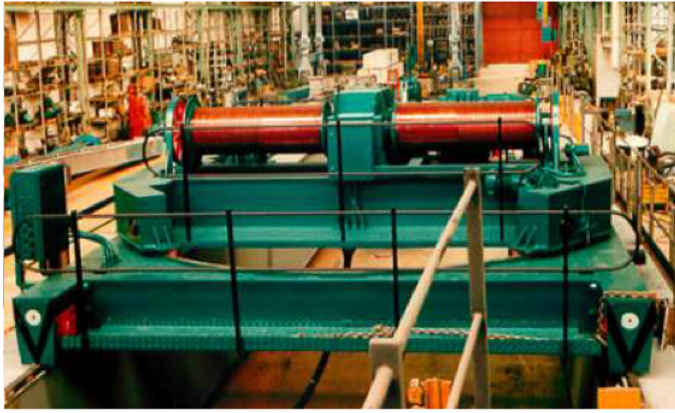
SELECTION TIME

■ Selection board for open winch selection with 8/2 falls

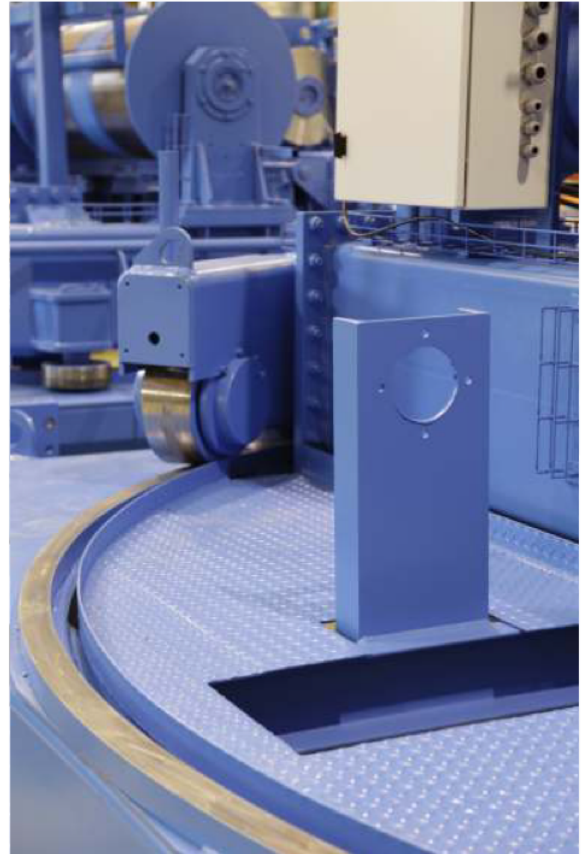


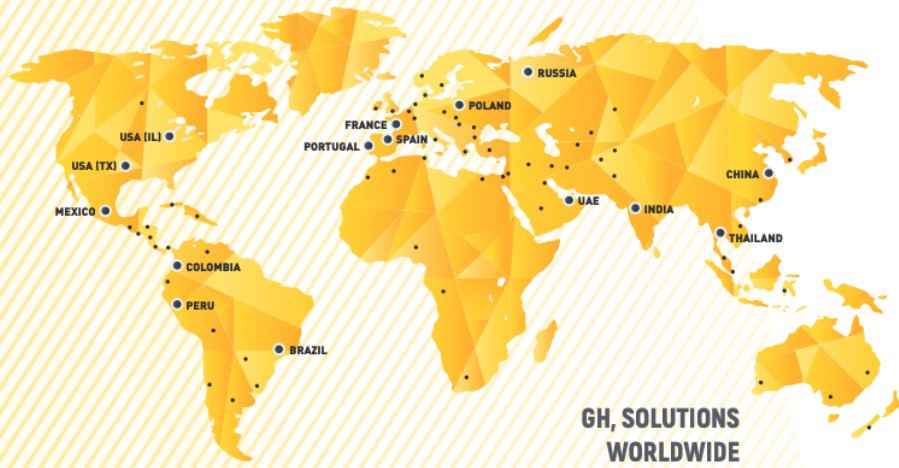
Model	Capacity t	Classification		Height			Speed					Dimensions				E/c			Weight		
		FEM	ISO	H1	H2	H3	V1	V2	V3	V4	V5	F	C	A1	A2	H1	H2	H3	H1	H2	H3
GHF 8/2	12,5	5 m	M8	10	15	20	3	4	6	8	10	1165	1065	2000	2565	1800	2400	3000	3400	3700	4300
	16	5 m	M8																		
	20	5 m	M8																		
	25	4 m	M7																		
	32	3 m	M6																		
40	2 m	M5	1020																		
GHG 8/2	25	5 m	M8	10	15	20	3	4	6	8	1355	1255	2000	2625	2000	2500	3000	5900	6200	6500	
	32	5 m	M8																		
	40	4 m	M7																		
	50	3 m	M6																		
	63	2 m	M5																		
80	1 Am	M4	1450	1115	2805																
GHI 8/2	40	5 m	M8	10	15	20	3	4	6	8	1545	1555	2400	3205	2240	2500	3150	13400	14000	14600	
	50	5 m	M8																		
	63	4 m	M7																		
	80	3 m	M6																		
100	2 m	M5	1415																		
GHJ 8/2	63	5 m	M8	10	15	20	3	4	6	1680	2150	2600	3600	2240	2800	3500	18700	19800	20800		
	80	5 m	M8																		
	100	4 m	M7																		
	125	3 m	M6																		
160	2 m	M5	1960																		
GHK 8/2	100	5m	M8	10	15	20	3	4	6	2250	1860	3500	4532	2800	3300	3800	24000	26000	28000		
	125	4m	M7																		
	160	3m	M6																		
	200	2m	M5																		
250	1Am	M4	1460																		

ROTATING OPEN WINCH



Interesting option to manipulate long products, paper reels, liquid metal or metal scrap crab





GH, SOLUTIONS
WORLDWIDE

Presence in
+73 COUNTRIES
ON 5 CONTINENTS

+ 112.000
sold cranes

+ 750

IN THE
TOP 5 CRANE
MANUFACTURERS
WORLDWIDE

-GH-

GH, Spain central offices

www.ghcranes.com



Beasain
CENTRAL OFFICES
T: +34 943 805 660
ghcranes@ghcranes.com



Olaberria
T: +34 902 205 100
globalservice@ghcranes.com



Alsasua
T: +34 948 467 625



Bakaiku
T: +34 948 562 611



Jaén
T: +34 902 205 100

GH, subsidiaries in the world



Brazil Cabreúva
GH DO BRASIL IND. E COM. LTDA.
T: +52 44 22 77 55 03
ghdobrasil@ghdobrasil.com.br



China Shanghai
GH (SHANGHAI)
LIFTING EQUIPMENT CO., LTD.
T: +86 21 5988 7676
ghchina@ghsa.com



Colombia Bogotá
GH COLOMBIA SAS
T: +57 1 750 4427
yezpeleta@ghsa.com



France Couëron
GH FRANCE SA
T: +33(0) 240 861 212
ghfrance@ghsa.com



India Pune
GH CRANES INDIA PVT. LTD.
T: +91 89561 35444
ghindia@ghsa.com



Mexico Queretaro
GRUAS GH MEXICO SA DE CV
T: +52 44 22 77 55 03
+52 44 22 77 50 74
ghmexico@ghsa.com.mx



Peru Lima
GH PERÚ S.A.C.
T: +51 987816231
gferradas@ghsa.com



Poland Kłobuck
GH CRANES SP. Z O.O.
T: +48 34 359 73 17
intertech@ghsa.pl



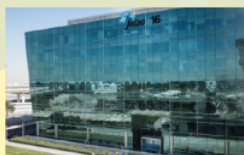
Portugal Mamede do Coronado
GH PORTUGAL
T: +351 229 821 688
geral@ghsa.com



Russia Moscow
GH RUSSIA
T: +7 (495) 745 69 26
ghrussia@ghsa.com



Thailand Chonburi
LGH Cranes
T: +66 (0) 2327 9399
M: +66 (0) 8 4660 1365
ghthailand@ghsa.com



UAE Dubai
GH Cranes Arabia FZCO
Office no. 517, 5th Floor, Jafza
Building 16, Jebel Ali Free Zone.
P.O Box Number - 263594
T: +971 4 8810773
gharabia@ghcranes.com



USA Illinois
GH CRANES USA
T: (815) 277 5328
ghcranesusa@ghsa.com



USA Texas
F&G CRANES
T: (972) 563 8333
info@fg-ind.com

**Lifting
your
world.**